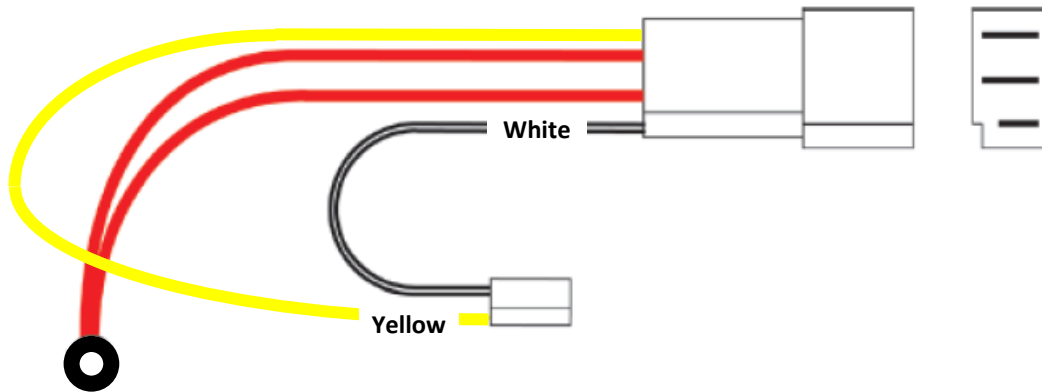




RAC903

Lucas Type Adaptor for 2 Wire Powerlite Alternators

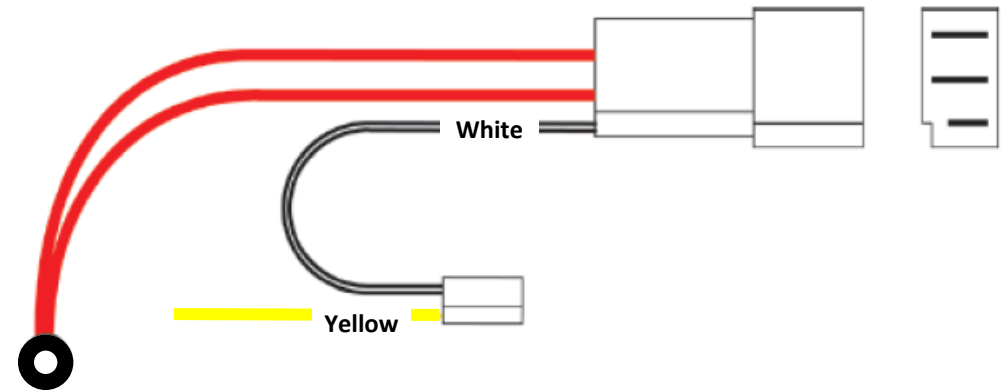


RACE SET UP (WITH A POWER MASTER SWITCH)

White: Warning Light

Yellow: Ignition Wire

Red: Main Feed



NORMAL SET UP (WITHOUT A POWER MASTER SWITCH)

White: Warning Light

Yellow: Ignition Wire - (Cut and connect to a switched ignition source)

Red: Main Feed