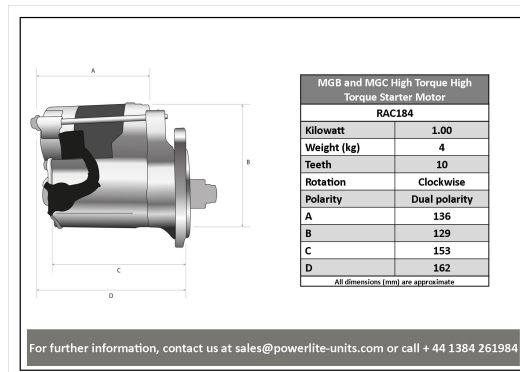


# High Torque Starter Motors

## RAC184

MGB and MGC High Torque Starter Motor

MGB and MGC High Torque Starter Motor Strong, powerful, offset gear-reduced starter motor, delivering huge cranking torque through a set of steel internal gears. Lightweight, compact and durable this unit starts the engine faster with immense power, whilst drawing less current from the battery. All built by us in the UK



### RAC184

Make	Model	Engine Size	Year
MG	MGB	1798	1968 - 1980
MG	MGB Pre-engaged	1798	1968 - 1980
MG	MGC Pre-engaged	2912	1967 - 1969

### RAC184

Item	Value
Kilowatts	1.00 kW
Teeth	10
Voltage	12 V
Weight	