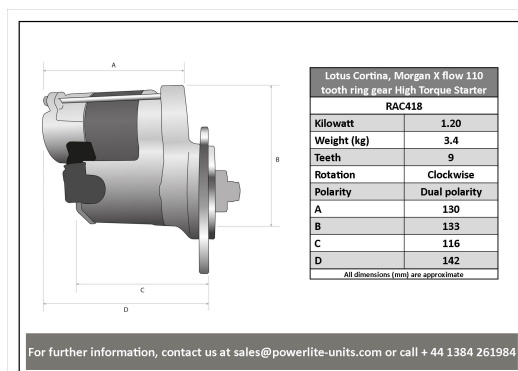
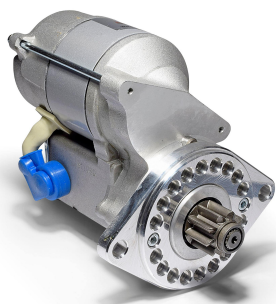


# High Torque Starter Motors

## RAC418

Lotus Cortina / Morgan X flow, Pre X flow, Kent with a 110t ring gear

Lotus Cortina / Morgan X flow, Pre X flow, Kent with a 110t ring gear Strong, powerful, offset gear-reduced starter motor, delivering huge cranking torque through a set of steel internal gears. Lightweight, compact and durable this unit starts the engine faster with immense power, whilst drawing less current from the battery.



### RAC418

Make	Model	Engine Size	Year
Ford	Anglia 105E	997	1959 - 1968
Ford	Anglia 105E	1198	1959 - 1968
Ford	Cortina MK1	1200	1962 - 1966
Ford	Cortina MK1	1500	1962 - 1966
Ford	Cortina MK1	1600	1962 - 1966
Ford	Cortina MK2	1600	1966 - 1970
Ford	Cortina MK2	1300	1966 - 1970
Ford	Cortina MK2	1600	1966 - 1970
Ford	Cortina MK3	1300	1970 - 1976
Ford	Cortina MK3	1600	1970 - 1976
Ford	Cortina MK4	1300	1976 - 1979
Ford	Cortina MK4	1600	1976 - 1979
Ford	Cortina MK5	1300	1979 - 1982
Ford	Cortina MK5	1600	1979 - 1982
Ford	Escort MK1	1600	1967 - 1975
Ford	Escort MK1	1700	1967 - 1975
Lotus	Cortina - 9 tooth with 110 Teeth Ring Gear (Std Fitment)	1600	1963 - 1970
Morgan	Pre X-Flow Engine	1600	1972
Morgan	X-Flow Engine	1600	1972



Made in the UK 

**RAC418**

Item	Value
Kilowatts	1.20 kW
Teeth	9
Voltage	12 V
Weight	3.40 kg