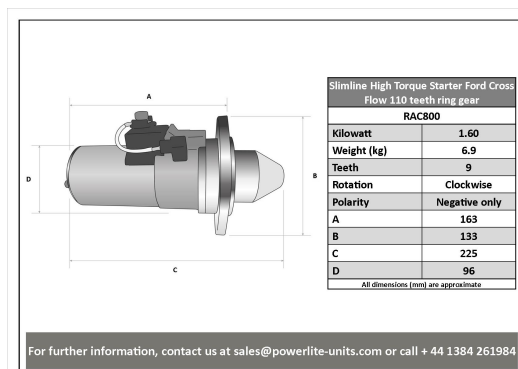
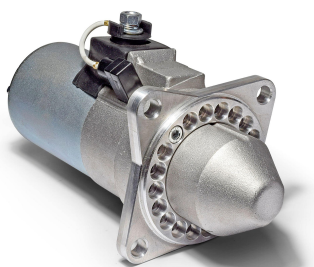


High Torque Starter Motors

RAC800

Replaces Lucas LRS00100 Inertia Type Starter Motor. Ford Kent, Cross Flow and Pre X Flow with 110 teeth ring gear. Slimline unit for Ford replacing 3 bolt original. Fitted to Ford Kent, Cross Flow and Pre X Flow with 110 teeth ring gear. Deceptively powerful, this unit features an epicyclic in-line gear box which delivers extra power when engaged and an internal solenoid. Lightweight, durable and easy to fit, this unit delivers maximum power with maximum efficiency. Designed for negative earth vehicles only.



RAC800

| Make | Model | Engine Size | Year |
|--------|------------------|-------------|-------------|
| Ford | Capri I | 1.3 | 1969 - 1974 |
| Ford | Cortina | 1.3 | 1976 - 1979 |
| Ford | Cortina | 1.3 | 1979 - 1982 |
| Ford | Cortina | 1.6 | 1976 - 1979 |
| Ford | Cortina | 1.6 | 1979 - 1982 |
| Ford | Escort | 0.95 | 1968 - 1974 |
| Ford | Escort | 1.1 | 1968 - 1975 |
| Ford | Escort | 1.3 | 1968 - 1975 |
| Ford | Escort II | 1.1 | 1975 - 1980 |
| Ford | Escort II | 1.3 | 1975 - 1980 |
| Ford | Escort II | 1.6 | 1975 - 1980 |
| Ford | Escort II 30 Van | 1.1 | 1975 - 1976 |
| Ford | Escort II 30 Van | 1.3 | 1975 - 1976 |
| Ford | Escort II 35 Van | 1.1 | 1976 - 1980 |
| Ford | Escort II 35 Van | 1.3 | 1976 - 1980 |
| Ford | Escort II 45 Van | 1.1 | 1976 - 1980 |
| Ford | Escort II 45 Van | 1.3 | 1976 - 1980 |
| Morgan | Four Four | 1.6 | 1968 - 1982 |



Made in the UK 

RAC800

| Item | Value |
|-----------|---------|
| Kilowatts | 1.60 kW |
| Teeth | 9 |
| Voltage | 12 V |
| Weight | 3.00 kg |